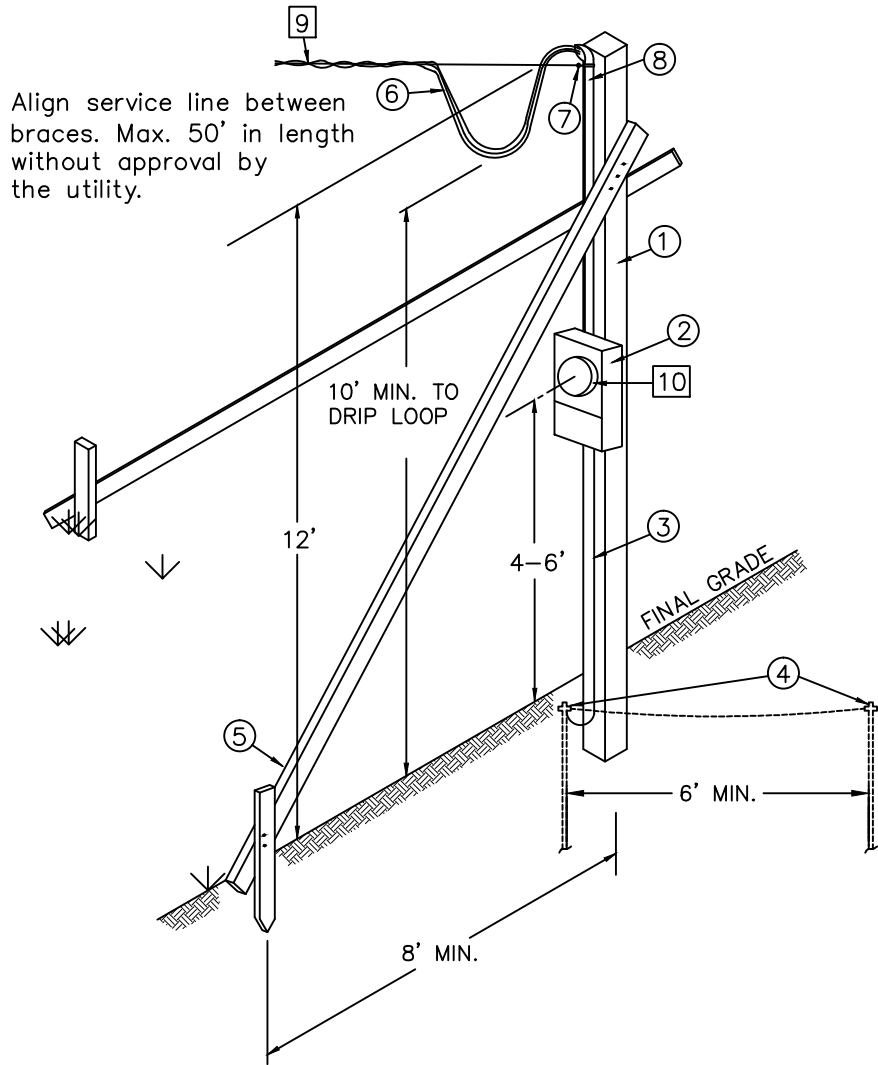


Aerial view of stud and braces. Note that the service lines extend at a 45 degree angle from within the braces



Align service line between braces. Max. 50' in length without approval by the utility.

NOTES:

1. ANY TEMPORARY SERVICE OVER 50 FEET IN LENGTH MUST BE APPROVED BY THE UTILITY. LOCATION OF THE TEMPORARY SERVICE MAY REQUIRE ADDITIONAL POLE HEIGHT.
2. A METER POLE MAY BE USED IF A PERMANENT SERVICE ENTRANCE CANNOT BE INSTALLED ON A STRUCTURE. IF IT IS USED, A PERMANENT UTILITY POLE SHALL BE FURNISHED BY THE UTILITY. FOR FURTHER INFORMATION, SEE THE PERMANENT OVERHEAD METER POLE SPECIFICATION.

ITEMS OWNED AND INSTALLED BY THE MEMBER:

ITEMS OWNED AND INSTALLED BY THE UTILITY:

1. 6"x 6"x 14' MINIMUM CONTINUOUS SINGLE STRUCTURE
2. METER SOCKET AND DISTRIBUTION PANEL (100-200AMP, 120/240 VOLT)
3. GROUND WIRE IN ACCORDANCE WITH NEC
4. GROUND RODS IN ACCORDANCE WITH NEC
5. 2" x 4" BRACE (2 REQUIRED)
6. SERVICE ENTRANCE CONDUCTORS - 24" OUT OF WEATHERHEAD
7. INSULATED CLEVIS
8. RISER AND WEATHERHEAD

9. SERVICE LINE
10. METER

ITEM	MATERIAL	ITEM	MATERIAL
ENGINEER:		NEW CONSTRUCTION SPECIFICATIONS TEMPORARY OVERHEAD SERVICE	
		INLAND POWER AND LIGHT CO.	
REVISED	IPL OCT-10		TEMP OH