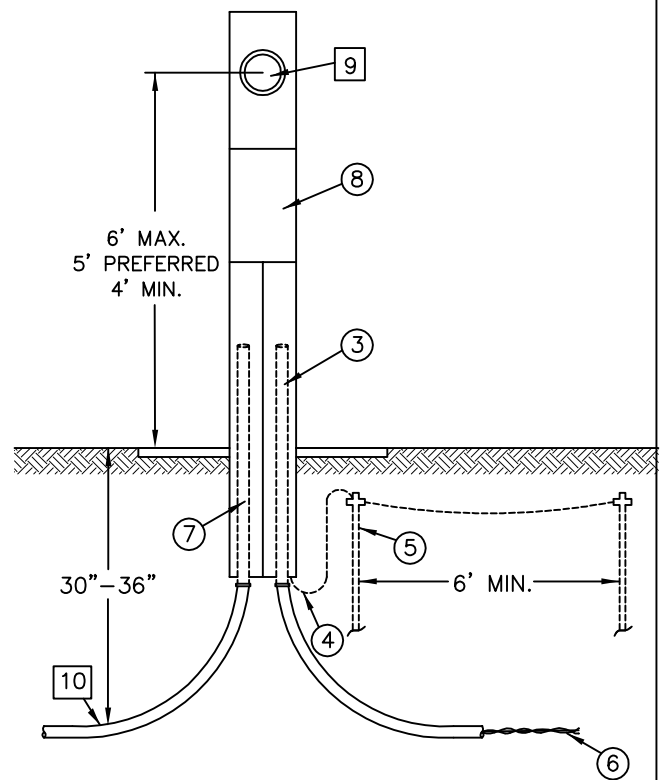


TREATED POST



ALTERNATE METAL FABRICATED
(Manufactured Homes Only)

CONDUIT TO BE RIGIDLY FASTENED TO SUPPORT

NOTE:


INSTALL METER POSTS AND STUBOUTS AT THE REAR OF THE TRANSFORMER, NEVER IN THE FRONT.

ITEMS OWNED AND INSTALLED BY THE MEMBER:

1. 6"x 6"x 10' MIN. FULLY PRESSURE TREATED POST
2. SERVICE ENTRANCE EQUIPMENT
3. SERVICE CONDUIT IN ACCORDANCE WITH NEC
4. GROUND WIRE IN ACCORDANCE WITH NEC
5. GROUND RODS IN ACCORDANCE WITH NEC
6. SERVICE CONDUCTORS TO LOAD IN ACCORDANCE WITH NEC
7. 2" SCH 80 GREY CONDUIT EXTENDING 18" MIN. BELOW GRADE
8. FACTORY BUILT METER PEDESTAL

ITEMS OWNED AND INSTALLED BY THE UTILITY:

9. METER
10. SERVICE LINE IN CONDUIT FROM TRANSFORMER TO METER LOCATION

ITEM	MATERIAL	ITEM	MATERIAL				
ENGINEER:	NEW CONSTRUCTION SPECIFICATIONS PERMANENT 200A METER POST	 INLAND POWER AND LIGHT CO.					
REVISED	<table border="1"> <tr> <td>IPL OCT-10</td> <td>IPL JAN-16</td> <td> </td> <td> </td> </tr> </table>	IPL OCT-10	IPL JAN-16				200A PED
IPL OCT-10	IPL JAN-16						