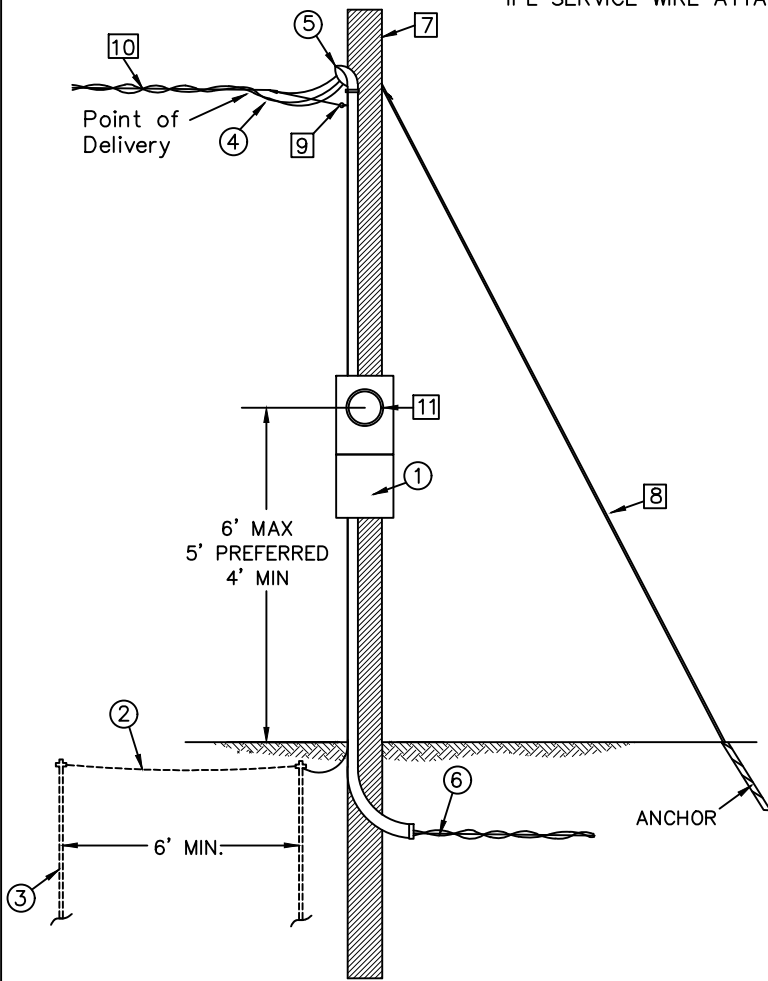
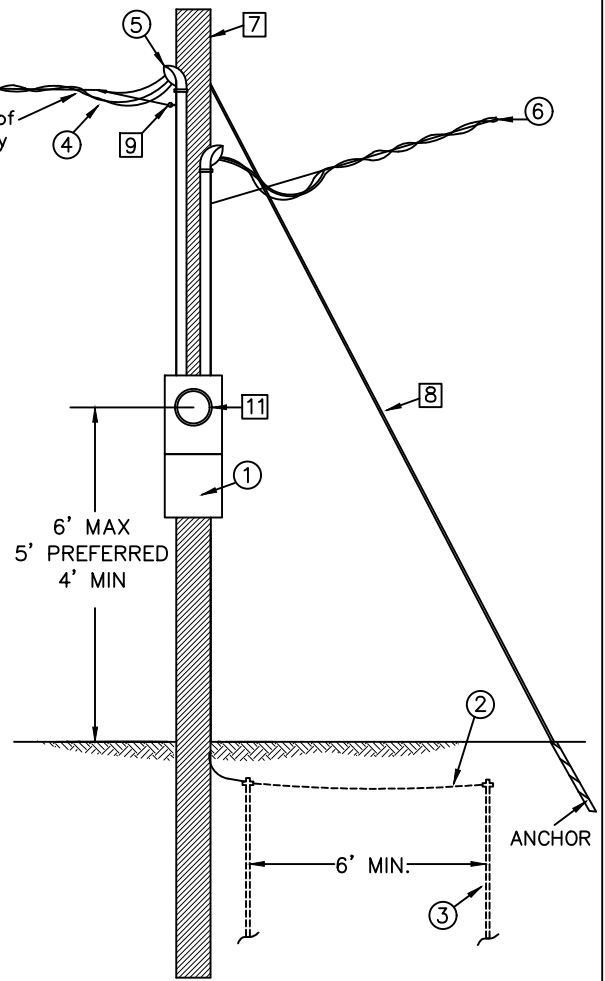


WEATHERHEAD MUST EXTEND ABOVE  
IPL SERVICE WIRE ATTACHMENT



OVERHEAD-UNDERGROUND



OVERHEAD-OVERHEAD

NOTES:


1. LOCATION OF THE PERMANENT SERVICE MAY REQUIRE ADDITIONAL POLE HEIGHT. THE SERVICE MAST MUST BE TALL ENOUGH TO PROVIDE REQUIRED CLEARANCES FROM GROUND TO SERVICE CONDUCTORS EVERYWHERE IN THE SPAN (REFER TO. SPEC "MISC SVC")
2. PLEASE CONTACT DESIGN DEPT FOR REQUIREMENTS AT (509)747-7151.
3. METER POLE IS FURNISHED AND INSTALLED BY INLAND POWER AND LIGHT.

ITEMS OWNED AND INSTALLED BY THE MEMBER:

1. METER SOCKET AND DISTRIBUTION PANEL (100-200AMP, 120/240 VOLT)
2. GROUND WIRE IN ACCORDANCE WITH NEC
3. GROUND RODS IN ACCORDANCE WITH NEC
4. SERVICE ENTRANCE CONDUCTORS - 24" OUT OF WEATHERHEAD
5. CONDUIT RISER AND WEATHERHEAD
6. SERVICE CONDUCTORS TO LOAD IN ACCORDANCE WITH NEC

ITEMS OWNED AND INSTALLED BY THE UTILITY:

7. METER POLE
8. DOWN GUY & ANCHOR (REQUIRED FOR SERVICES OVER 50 FEET FROM THE UTILITY'S POLE)
9. INSULATED CLEVIS
10. SERVICE LINE
11. METER

ITEM	MATERIAL	ITEM	MATERIAL
ENGINEER:	NEW CONSTRUCTION SPECIFICATIONS PERMANENT OVERHEAD METER POLE	 INLAND POWER AND LIGHT CO.	
REVISED	IPL DEC-11		PERM POLE