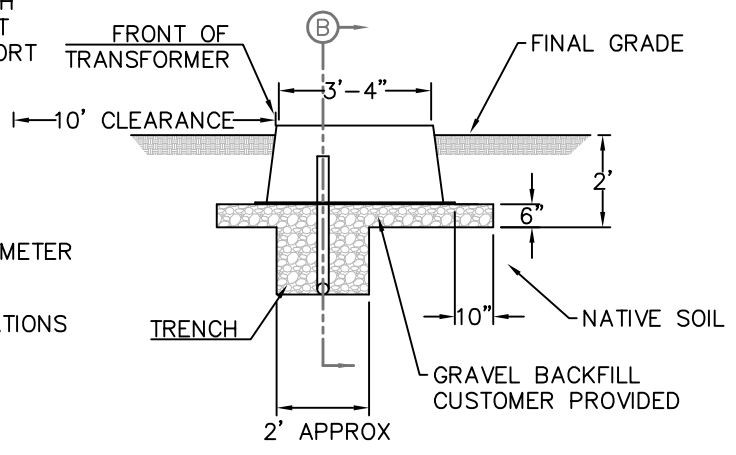


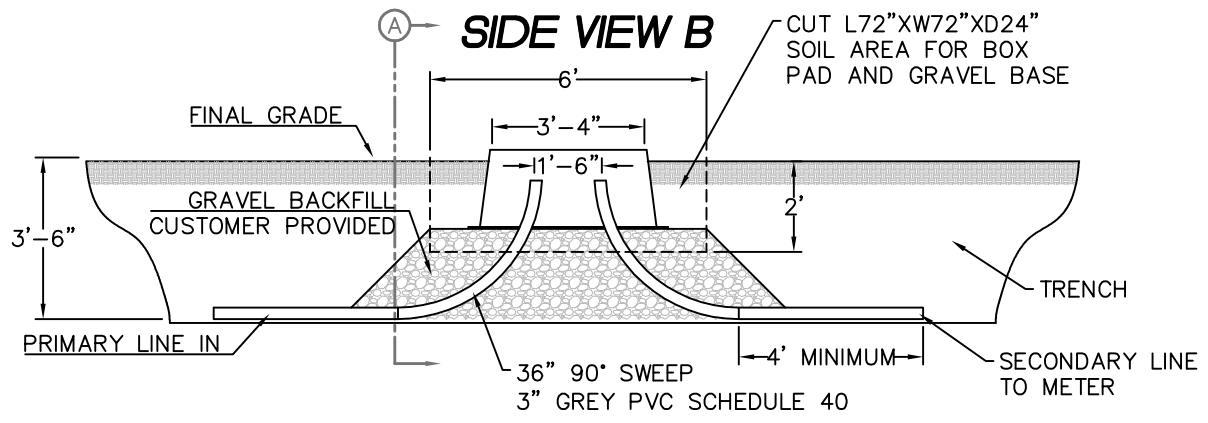
NOTES:

1. CUSTOMER TO EXCAVATE L72"XW72"XD24" AREA FOR TRANSFORMER BOX PAD AREA.
2. CUSTOMER TO PROVIDE LEVEL GRAVEL BACKFILL OF NO LESS THAN 6" IN DEPTH AT BOTTOM OF BOX PAD AREA..
3. 5/8" MINUS GRAVEL REQUIRED FOR BACKFILL MATERIAL.
4. USE GRAY 3" SCHEDULE 40 PVC CONDUIT ONLY
5. SERVICE WILL NOT BE CONNECTED UNTIL INSPECTION BY IPL&L STAFF HAS BEEN PERFORMED AND APPROVED. CALL TO ARRANGE INSPECTION TIME.
6. IPL REQUIRES HORIZONTAL CLEARANCES OF 10' TO FRONT OF TRANSFORMER AND 3' ON SIDES AND BACK.

SIDE VIEW A



SIDE VIEW B



INLAND POWER WILL NOT ENERGIZE ITS FACILITIES UNTIL BACKFILL IS COMPLETED

| ITEM | MATERIAL | ITEM | MATERIAL |
|-----------|--|---------------|----------------------------|
| | | | |
| | | | |
| | | | |
| | | | |
| ENGINEER: | CONSTRUCTION GUIDE DRAWING 1-PH TRANSFORMER BOX PAD | | INLAND POWER AND LIGHT CO. |
| REVISED | IPL JAN-18 | IPL APR-18 | 1PHBOXPD |