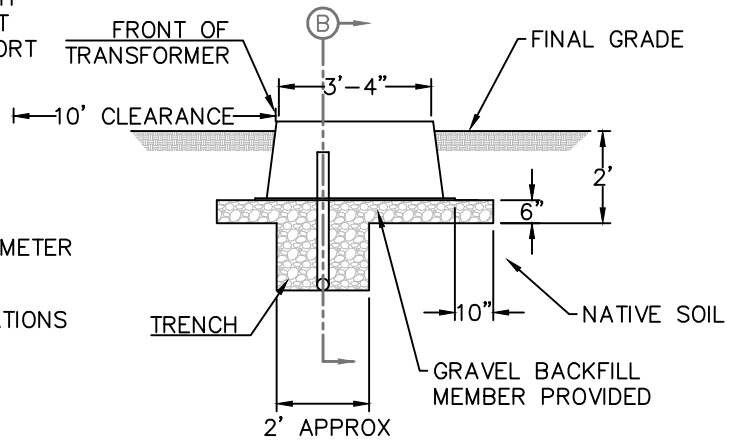


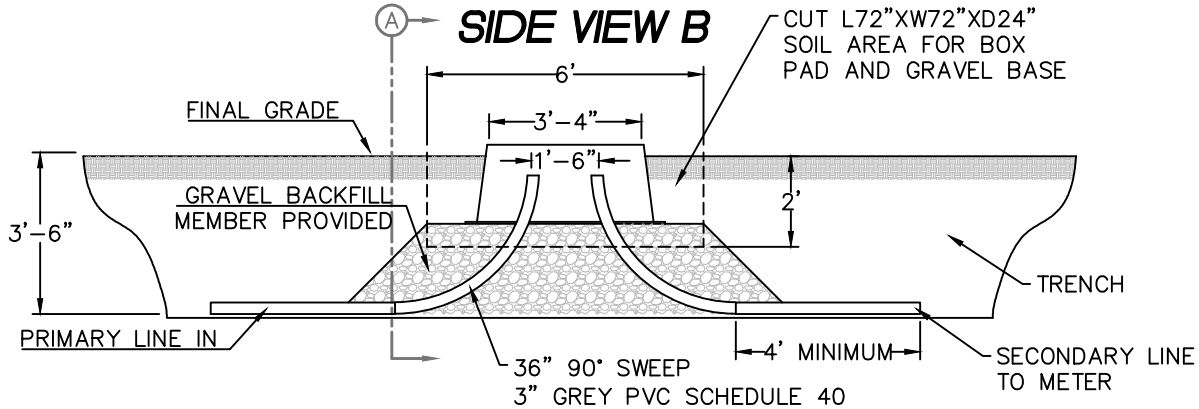
NOTES:

1. MEMBER TO EXCAVATE L72"XW72"XD24" AREA FOR TRANSFORMER BOX PAD AREA.
2. MEMBER TO PROVIDE LEVEL GRAVEL BACKFILL OF NO LESS THAN 6" IN DEPTH AT BOTTOM OF BOX PAD AREA..
3. 5/8" MINUS GRAVEL REQUIRED FOR BACKFILL MATERIAL.
4. USE GRAY 3" SCHEDULE 40 PVC CONDUIT ONLY
5. SERVICE WILL NOT BE CONNECTED UNTIL INSPECTION BY IP&L STAFF HAS BEEN PERFORMED AND APPROVED. CALL TO ARRANGE INSPECTION TIME.
6. IPL REQUIRES HORIZONTAL CLEARANCES OF 10' TO FRONT OF TRANSFORMER AND 3' ON SIDES AND BACK.

SIDE VIEW A



SIDE VIEW B



INLAND POWER WILL NOT ENERGIZE ITS FACILITIES UNTIL BACKFILL IS COMPLETED

ITEM	MATERIAL	ITEM	MATERIAL
ENGINEER: <i>Debra Buffel</i>		CONSTRUCTION GUIDE DRAWING 1-PH TRANSFORMER BOX PAD	
REVISID	IPL JAN-18	IPL APR-18	
INLAND POWER AND LIGHT CO.			1PHBOXPD