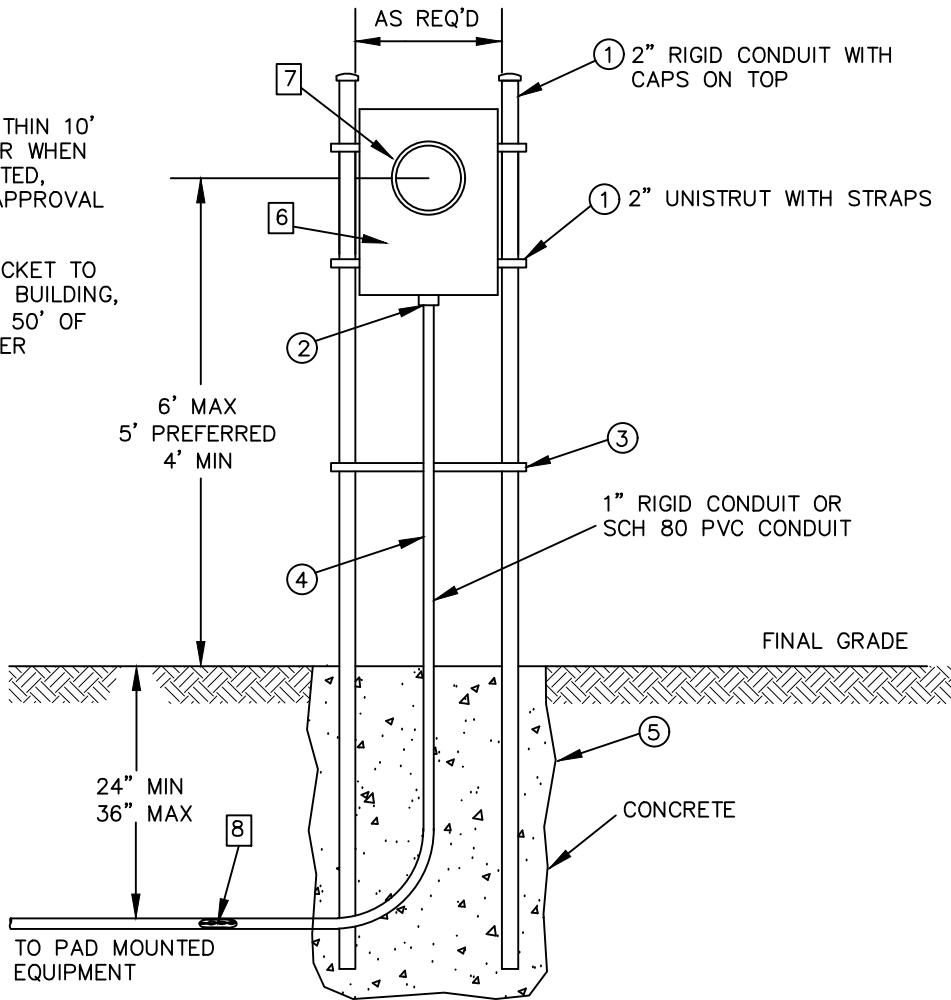


# FOR 3-PH SERVICE IN TRANSFORMER OVER 500 KVA

NOTE:  
METER TO BE WITHIN 10'  
OF TRANSFORMER WHEN  
PEDESTAL MOUNTED,  
UNLESS PRIOR APPROVAL  
FROM IPL

WHEN METER SOCKET TO  
BE MOUNTED ON BUILDING,  
MUST BE WITHIN 50'  
OF THE TRANSFORMER



ITEMS INSTALLED BY THE MEMBER:

1. 2" RIGID CONDUIT AND UNISTRUT RACK
2. INSULATING BUSHINGS AND LOCKNUT
3. CONDUIT STRAPS ANCHORED TO UNISTRUT
4. 1" SCH 80 GREY SERVICE CONDUIT TO TRANSFORMER LOCATION
5. CONCRETE

ITEM SUPPLIED BY UTILITY AND  
INSTALLED BY THE MEMBER:

6. FORM 9S, 13 TERMINAL METER SOCKET

ITEMS INSTALLED BY THE UTILITY:

7. METER
8. SERVICE LINE IN CUSTOMER CONDUIT FROM TRANSFORMER TO METER LOCATION

ITEM	MATERIAL	ITEM	MATERIAL											
ENGINEER:	CONSTRUCTION GUIDE DRAWING 3-PHASE CT METER PEDESTAL	INLAND POWER AND LIGHT CO.												
REVISED	<table border="1" style="width: 100%; border-collapse: collapse;"> <tr> <td style="width: 12.5%;">IPL</td> <td style="width: 12.5%;">IPL</td> <td style="width: 12.5%;">IPL</td> <td style="width: 12.5%;">IPL</td> <td style="width: 12.5%;">IPL</td> </tr> <tr> <td>DEC-17</td> <td>FEB-18</td> <td>SEPT-19</td> <td>JAN-20</td> <td>DEC-21</td> </tr> </table>	IPL	IPL	IPL	IPL	IPL	DEC-17	FEB-18	SEPT-19	JAN-20	DEC-21			3 PHASE CT PED
IPL	IPL	IPL	IPL	IPL										
DEC-17	FEB-18	SEPT-19	JAN-20	DEC-21										