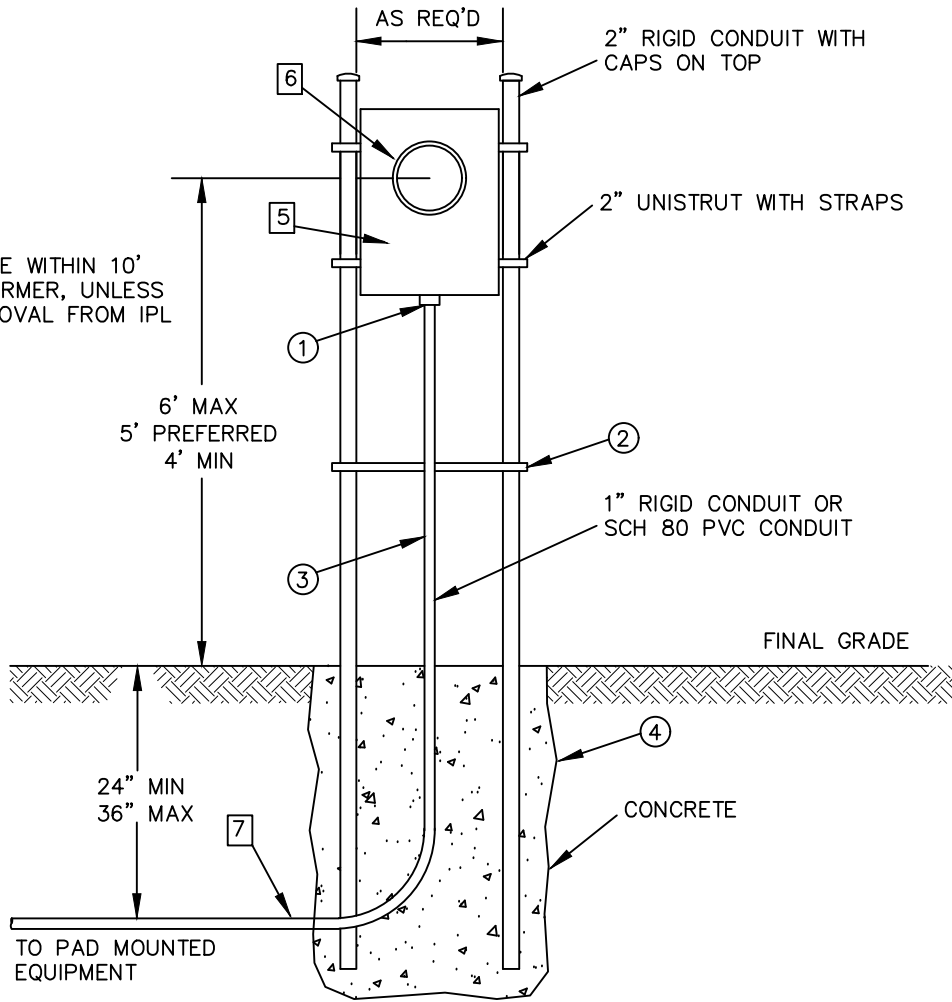


NOTE:
METER TO BE WITHIN 10'
OF TRANSFORMER, UNLESS
PRIOR APPROVAL FROM IPL



ITEM SUPPLIED BY UTILITY AND
INSTALLED BY THE MEMBER:


- 5. FORM 9S, 13 TERMINAL METER SOCKET

ITEMS INSTALLED BY THE MEMBER:

- 1. INSULATING BUSHINGS AND LOCKNUT
- 2. CONDUIT STRAPS ANCHORED TO UNISTRUT
- 3. 1" SCH 80 GREY SERVICE CONDUIT TO TRANSFORMER LOCATION
- 4. CONCRETE

ITEMS INSTALLED BY THE UTILITY:

- 6. METER
- 7. SERVICE LINE IN CUSTOMER CONDUIT FROM TRANSFORMER TO METER LOCATION

ITEM	MATERIAL				ITEM	MATERIAL			
ENGINEER:	CONSTRUCTION GUIDE DRAWING 3-PHASE CT METER PEDESTAL				 INLAND POWER AND LIGHT CO.				
REVISED	IPL DEC-17	IPL FEB-18	IPL SEPT-19	IPL JAN-20					3 PHASE CT PED