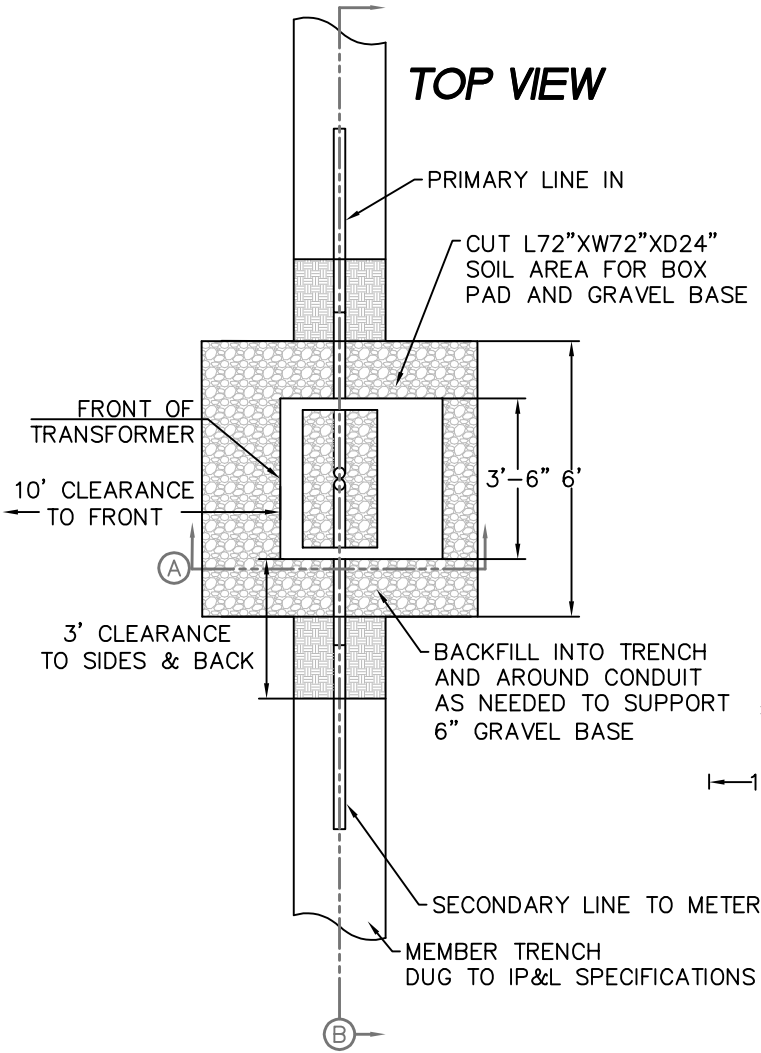


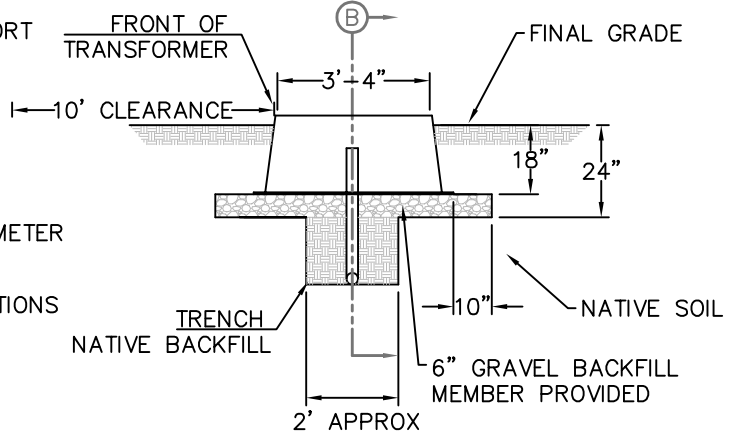
TOP VIEW



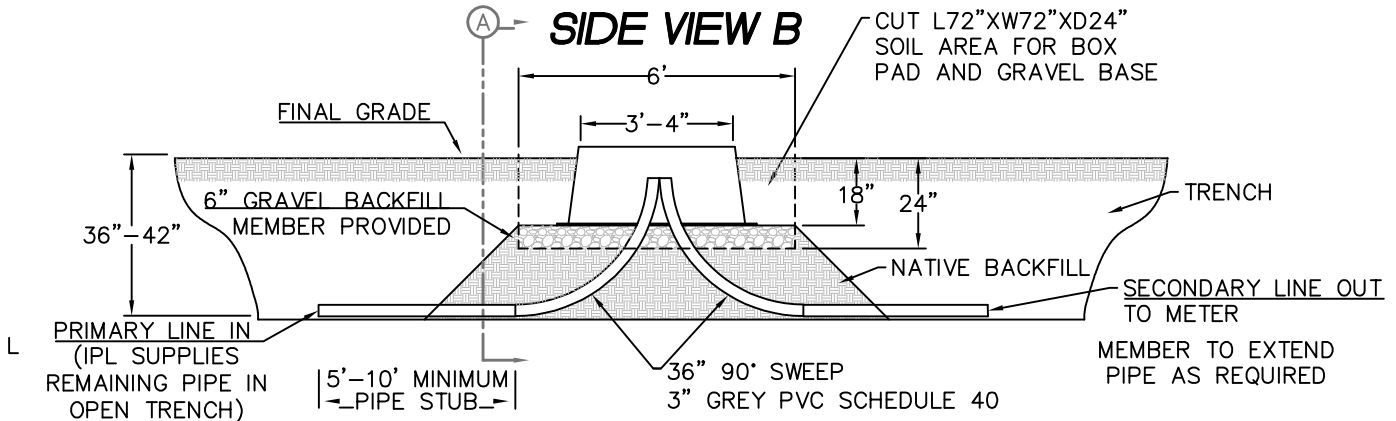
NOTES:

1. MEMBER TO EXCAVATE L72"XW72"XD24" AREA FOR TRANSFORMER BOX PAD AREA.
2. MEMBER TO PROVIDE LEVEL GRAVEL BACKFILL OF NO LESS THAN 6" (5/8" MINUS GRAVEL) IN DEPTH AT BOTTOM OF BOX PAD AREA.
3. USE GRAY 3" SCHEDULE 40 PVC CONDUIT ONLY
4. SERVICE WILL NOT BE CONNECTED UNTIL INSPECTION BY IP&L STAFF HAS BEEN PERFORMED AND APPROVED. CALL TO ARRANGE INSPECTION TIME.
5. IPL REQUIRES HORIZONTAL CLEARANCES OF 10' TO FRONT OF TRANSFORMER AND 3' ON SIDES AND BACK.
6. PIPE ORIENTATION OR CONFIGURATION MAY VARY DEPENDING ON SITE LAYOUT

SIDE VIEW A



SIDE VIEW B



INLAND POWER WILL NOT ENERGIZE ITS FACILITIES UNTIL BACKFILL IS COMPLETED

ITEM	MATERIAL	ITEM	MATERIAL

ENGINEER:

Debra Buff

CONSTRUCTION GUIDE DRAWING
1-PH TRANSFORMER BOX PAD



INLAND POWER AND LIGHT CO.

REVISED

IPL
JAN-18

IPL
APR-18

IPL
DEC-21

IPL
DEC-22

1PHBOXPD