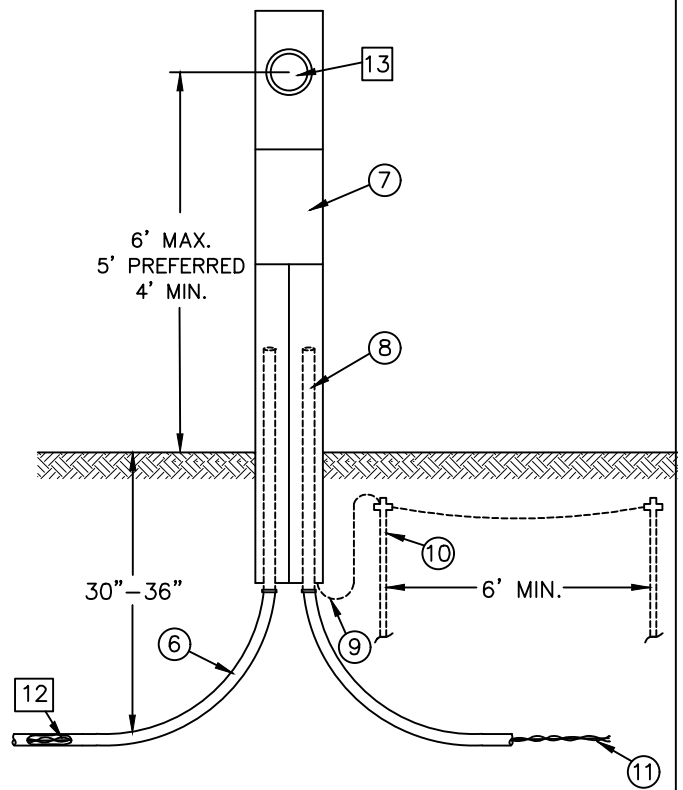


TREATED POST

CONDUIT TO BE RIGIDLY FASTENED TO SUPPORT



ALTERNATE METAL FABRICATED (Manufactured Homes Only)

PEDESTAL LOCATION REQUIREMENTS:

METER BASE MUST HAVE 10' OF WORKING SPACE IN FRONT.

MINIMUM 10' CLEARANCE TO FRONT & 3' TO THE SIDES AND BACK OF TRANSFORMER.


MAXIMUM OF 150' TOTAL LENGTH FROM PAD MOUNT OR POLE MOUNT TRANSFORMER TO METER PEDESTAL.

ITEMS INSTALLED BY THE MEMBER:

1. 6"x 6"x 10' MIN. FULLY PRESSURE TREATED POST
2. SERVICE ENTRANCE EQUIPMENT
3. INSULATED REDUCING BUSHING AND LOCKNUT
4. 3" SCH 80 GREY CONDUIT EXTENDING 18" MIN. BELOW GRADE
5. 3" PVC EXPANSION JOINT - GREY
6. 3" SCH 40 GREY CONDUIT FROM IPL EQUIPMENT, 24" RADIUS SWEEP MIN.
7. FACTORY BUILT METER PEDESTAL
8. SERVICE CONDUIT IN ACCORDANCE WITH NEC
9. GROUND WIRE IN ACCORDANCE WITH NEC
10. GROUND RODS IN ACCORDANCE WITH NEC
11. SERVICE CONDUCTORS TO LOAD IN ACCORDANCE WITH NEC

ITEMS INSTALLED BY THE UTILITY:

12. SERVICE WIRE FROM TRANSFORMER TO METER LOCATION
13. METER

ITEM	MATERIAL	ITEM	MATERIAL
ENGINEER:	NEW CONSTRUCTION SPECIFICATIONS PERMANENT 200A METER POST	 INLAND POWER AND LIGHT CO.	
REVISED	IPL OCT-10	IPL SEPT-19	200A PED